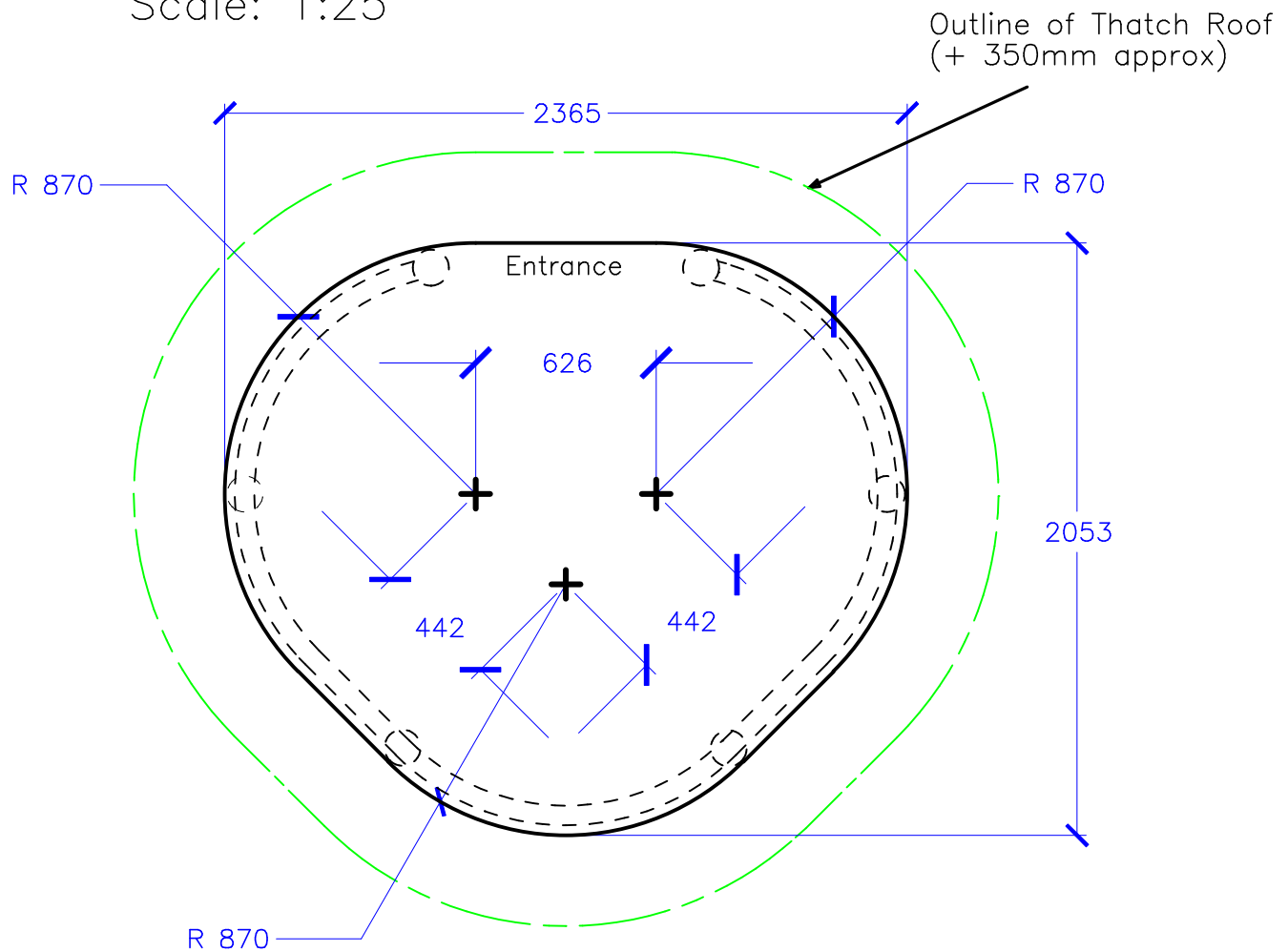


Sussex 06 Thatched Building

Base Dimensions

Building Height: 2750mm

Scale: 1:25



- Note:
- * Bold Line is the outline of the base
 - * Dotted line is the building base outline with posts shown
 - * Bold Cross is the center of the 870mm radius.