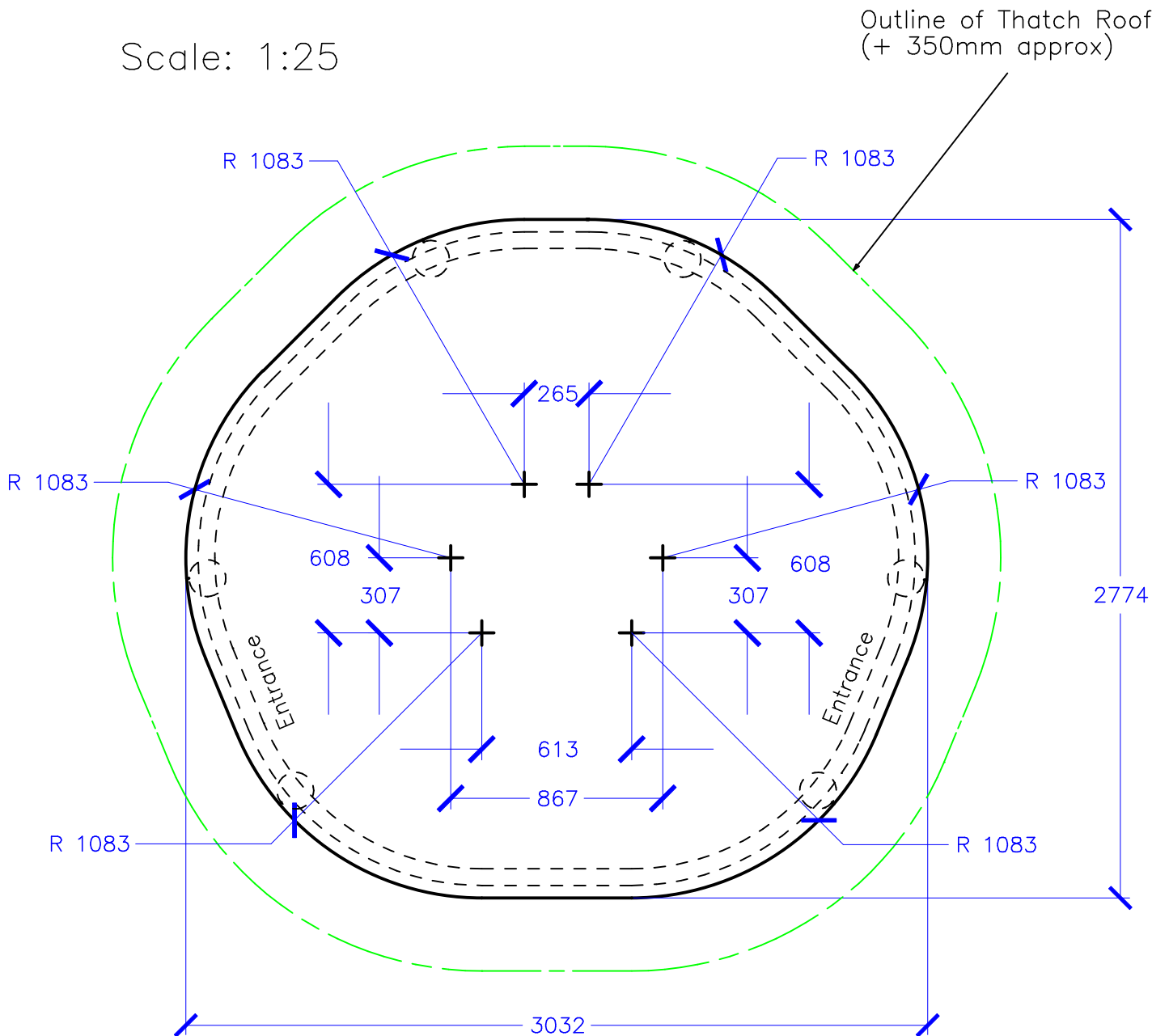


Sherborne Thatched Building

Base Dimensions

Building Height: 2960mm

Scale: 1:25



Note: * Bold Line is the outline of the base
* Dotted line is the building base outline with posts shown
* Bold Cross is the center of the 1083mm radius.